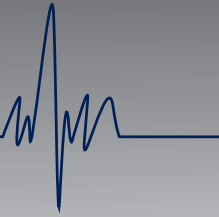




Solutions Start Here...



Solutions Start Here

www.smpcanada.com

SMP Canada

10 Sims Crescent, Richmond Hill
Ontario, L4B-1K9 Canada
Tel: (905) 764-7767 Fax: 1-866-627-9798
support@smpcanada.com

Diamond Series

Single Tier Horizontal Headwall

INSTALLATION INSTRUCTION



INSTALLATION INSTRUCTION

SURFACE MOUNT SOLUTION **DIAMOND SERIES**

TABLE OF CONTENTS

Before Installation _____	Page 1
Installation _____	Page 1
• Measure the centre line _____	Page 1
• Mounting bracket location _____	Page 1
• Stud location _____	Page 2
• Mounting support bracket _____	Page 2
• Fascia and Cover Plate Removal _____	Page 3
• Hanging and Securing the Headwall _____	Page 3
• Rough-in Location Connections _____	Page 4
• Finishing the Front Profile _____	Page 4
• Install the Lamps _____	Page 4
Finished Product _____	Page 4



INSTALLATION INSTRUCTION

SURFACE MOUNT SOLUTION **DIAMOND SERIES**



Before servicing or installing this unit please ensure that all Gas and Electrical supply has been disconnected in area of use. Please use safety and precautions at all times.

Before Installation

Headwalls are to be installed only by an experienced tradesperson. All work must conform to local building codes.

Installation instructions are provided as a basis for installation of the SMP Headwalls. Slight changes or modifications can occur at every job site.

Please read ALL instructions prior to installing the SMP Headwall.

The SMP approval submittal package must be reviewed before removing any SMP Headwalls from their shipping container. Ensure that following is correct prior to installation:

- Equipment Types and quantities match with the shipment.
- Room Numbers and Room Locations are on each package (if applicable)

Please review all approval drawings – mechanical, wiring and rough-in before proceeding with installation. If there are any discrepancies, please contact SMP Canada before you proceed with installation.

(support@smpcanada.com)

Installation

1. Measure the centre line

Using the approval drawings from SMP, mark the device center lines on both the left and right side of the headwall in order to determine the AFF (Above Finished Floor) location.

2. Mounting Bracket Location

Measure 1" above the AFF line and mark a horizontal line across the expanse of where the headwall will be mounted.

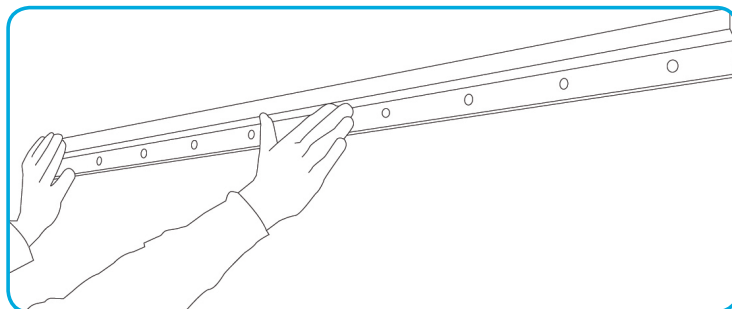


Figure 1



INSTALLATION INSTRUCTION

SURFACE MOUNT SOLUTION **DIAMOND SERIES**

3. Stud Location

To locate studs behind the drywall, use a stud locator and mark the locations vertically as shown in the diagram below. Only mark the studs that will intersect the headwall.



Figure 2

4. Mounting Support Bracket

Please note that SMP does not provide hardware for mounting the support bracket to the stud locations. Use only approved hardware as per the local building codes in your area. As per the diagram shown below, align the bracket horizontally to the stud locations found in step 3. Remember to align the bottom of the mounting support bracket to the top of the line marked in step 2.

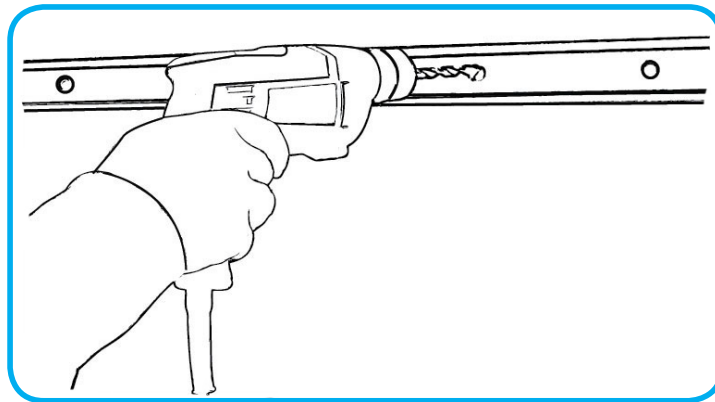


Figure 3



INSTALLATION INSTRUCTION

SURFACE MOUNT SOLUTION DIAMOND SERIES

5. Fascia and Cover Plate Removal

Remember to remove all cover plates and laminate from the front of the headwall. As per the diagrams below, follow the removal of the laminate plates.

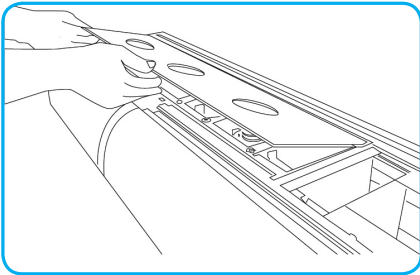


Figure 4a

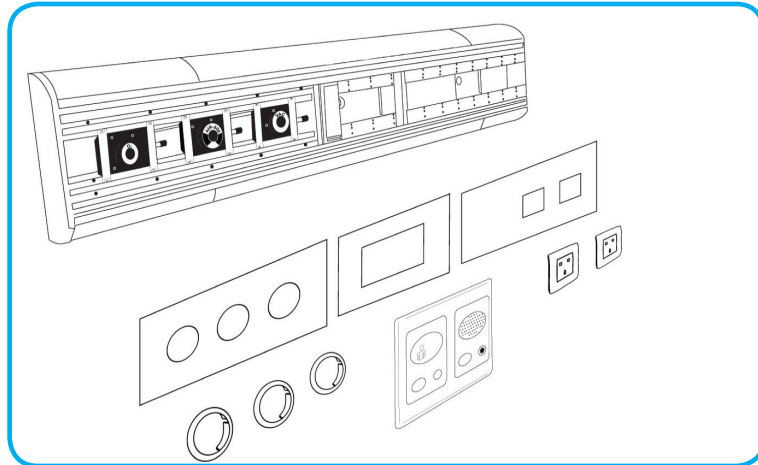
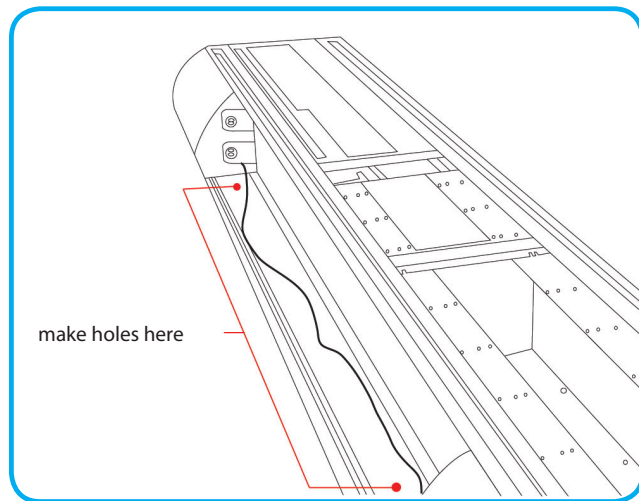
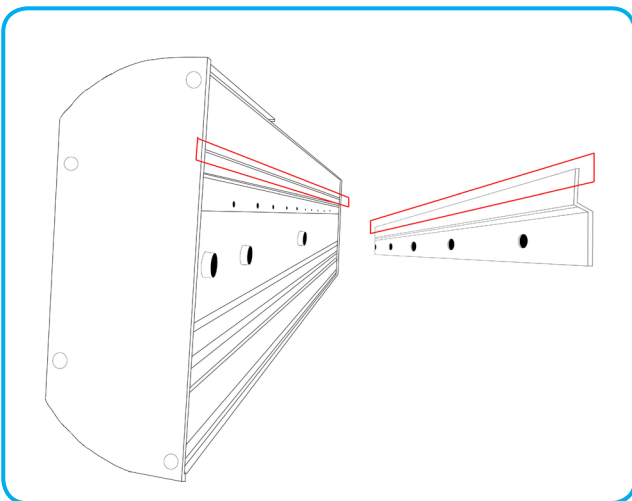


Figure 4b

6. Hanging and Securing the Headwall

The headwall has a lip (Figure 5a) which will sit on the mounting bracket. Hang the headwall to ensure that the rough-in locations line up with the termination points of the headwall. Secure the headwall by screwing through the bottom metal extrusion (Figure 5b). Stud locations must be lined up with screw holes for secure mounting. Remember, SMP does not provide hardware for securing the headwall to the stud location. Use only approved hardware as per the local building codes in your area.





INSTALLATION INSTRUCTION

SURFACE MOUNT SOLUTION DIAMOND SERIES

7. Rough-in Location Connections

Please proceed to make all rough-in and electrical connections as per your local building codes in your area.

8. Finishing the Front Profile

Remember to replace the laminate and the cover plates that were removed in step 5.

9. Install the Lamps

Prior to installing lamps please remove the lens cover by placing a wooden block at the edge where the lens meets the extrusion (Figure 6a). Tap on the block to loosen the lens cover (Figure 6b). Once the lens is loose then pull out from the open side and pop out using both hands (Figure 6c). Repeat steps if the unit has a bottom light. Insert appropriate light bulb which corresponds with the CAUTION light label as per (Figure 6d).

NOTE: Lamp bulbs are not supplied by SMP. Once light bulbs are installed, snap in the light lens followed by the aluminum covers. Finally fasten the plastic end covers.

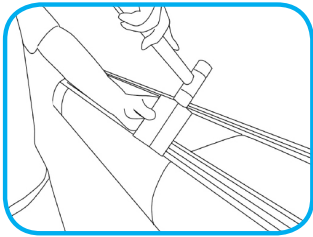


Figure 6a

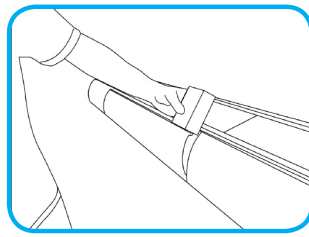


Figure 6b

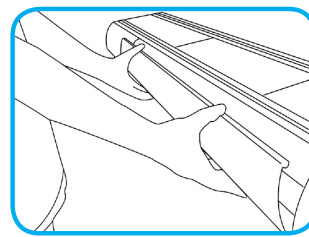


Figure 6c

FINISHED PRODUCT

