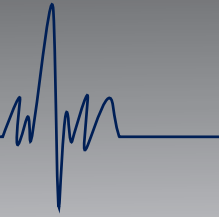




Solutions Start Here...



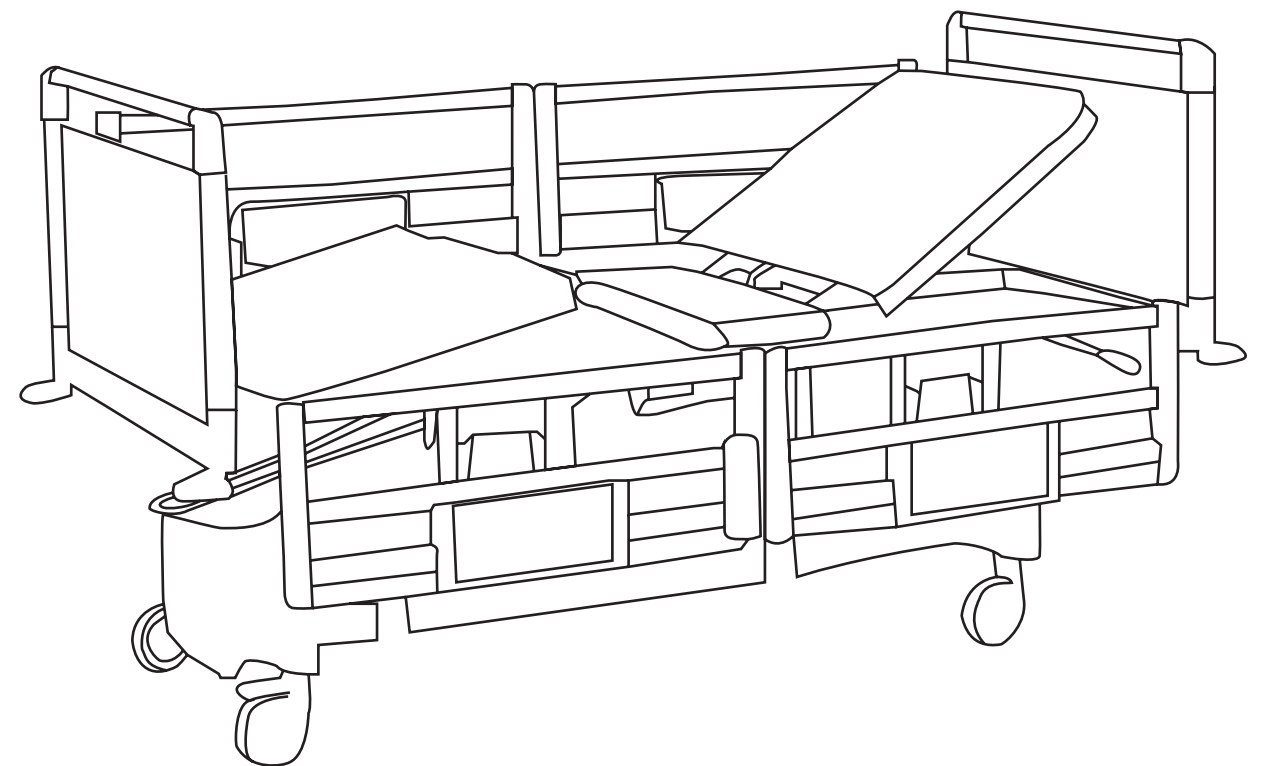
Solutions Start Here

www.smpcanada.com

SMP Canada

10 Sims Crescent, Richmond Hill
Ontario, L4B-1K9 Canada
Tel: (905) 764-7767 Fax: 1-866-627-9798
support@smpcanada.com

SMP PB900



USER & MAINTENANCE MANUAL



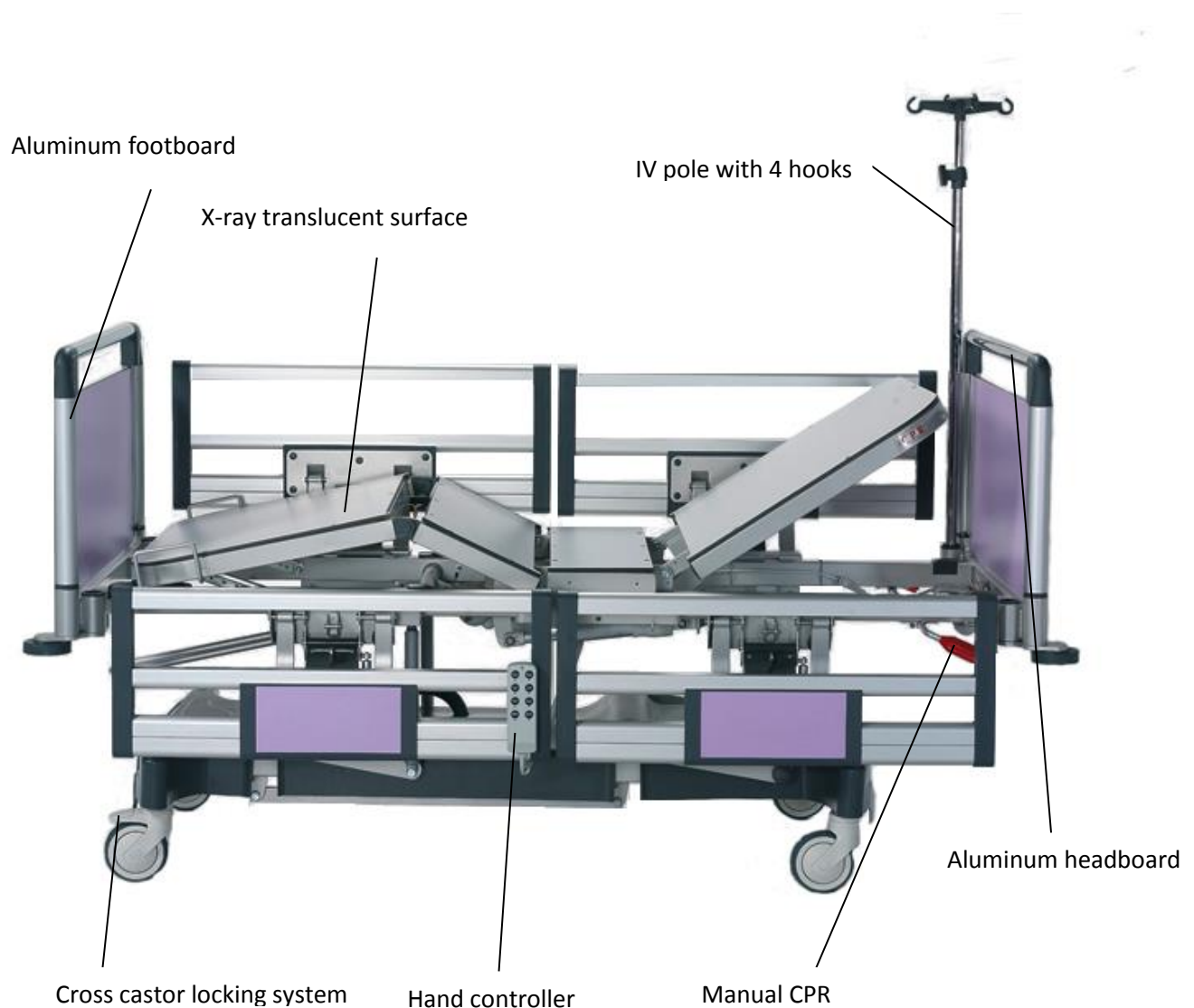
USER MANUAL

PEDIATRIC BED SMP PB900

APPENDIX C

SMP-PB900

Pediatric Bed – User & maintenance Manual





USER MANUAL

PEDIATRIC BED **SMP PB900**

General Remarks

We congratulate you on your choice of a SMP-PB900 pediatric bed and would like to thank you for your confidence in our company and its products. You have purchased a SMP-PB900 pediatric bed, developed and manufactured in accordance with the current state of technical knowledge.

SMP Canada's general patient room beds fully meet all safety and operational requirements. They are tested in accordance with international standard and carry the CE seal. This confirms that they fulfill the safety requirements relating to medical products. This user manual is intended to give you and your staff practical information and tips on the safe and correct use of the SMP-PB900 pediatric bed.

When putting the bed into service for the first time, or wanting to learn about its operation and maintenance, one must read and strictly obey this user manual. To avoid faulty handling and to ensure trouble-free operation of the bed, this documentation must be available to caregivers and/or patients at all times.

Secondary Medical Products Canada Inc.

SMP Canada

10 Sims Crescent

Richmond Hill, Ontario, L4B 1K9 Canada

Tel.: ++1 905-764-7767

Fax: ++1 866-627-9798

E-Mail: info@smpcanada.com

Website: www.smpcanada.com



USER MANUAL

PEDIATRIC BED SMP PB900

Table of Contents

APPENDIX C.....	1
General Remarks.....	2
1. Safety Instructions	4
2. Bed Installation	4
3. Bed Usage	5
3.1 Hand Controller	5
3.2 Nurse Control Panel (optional).....	6
3.3 Manual Controls	6
3.3.1 Legrest adjustment mechanism.....	6
3.3.2 Side rails.....	7
3.3.3 Manual CPR handle.....	7
3.3.4 Cross castor locking system	7
3.4 Head/Foot Boards.....	7
4. Bed Cleaning	7
5. Storage.....	8
6. Troubleshooting.....	8
7. Symbols.....	9
8. Maintenance Inspection Schedule	9



USER MANUAL

PEDIATRIC BED SMP PB900

1. Safety Instructions

- Read the statements with detail and use this product in accordance with these statements. If necessary, place a copy of these instructions near the product.
- If you notice the product is not working, do not use it and contact SMP's technical service right away.
- Inform the patient and the other users about the functions of the product.
- Pay attention the situation of the patient and around before operating the patient bed.
- The safety weight capacity should not be exceeded. If there is an obligatory situation to exceed this limit, the surface which the patient lies on should be adjusted to lowest position and the functions of the bed should not be used.
- When the patient is on the bed, a second person should not sit on the bed.
- Before cleaning the bed or changing any part of the bed, always pull the power cable out the plug.
- The patient and the attendant are always in danger in the following situations:
 - In the course of taking the bed away from one place to another on crinkled or grungy surface
 - In the course of exceeding the safe working weight
 - In the course of placing the moving parts carelessly
 - In the course of being damaged of the power cable
- Only the approved brands' parts should be used. When the replacement parts which are provided from the other suppliers are used, the bed manufacturer company will not accept responsibility for any damage, loss or injury.

2. Bed Installation

During the installation of the bed, please obey the following rules:

- Open the package of the bed completely and carefully
- Check the bed for the possible damages during the carriage
- Check the accessories and the main parts of the bed for any deficiency carefully, in case of any deficiency, contact the service department
- Before taking action about the bed, read the user's manual carefully

WARNING

DO NOT PUT ANYTHING ON THE BOTTOM FRAME COVER



USER MANUAL

PEDIATRIC BED SMP PB900

3. Bed Usage

3.1 Hand Controller

The controller is connected with a flexible cable so the patient and the attendant can use the controller in every position.

FUNCTIONS:



1. Backrest incline
2. Backrest decline
3. Legrest incline
4. Legrest decline
5. Fowler position increase
6. Fowler position decrease
7. Height increase
8. Height decrease
9. Trendelenburg (12°)
10. Reverse Trendelenburg (12°)

WARNING

MAKE SURE THERE IS NOTHING AND NOBODY, ESPECIALLY CHILDREN, UNDER AND NEAR THE BED WHEN OPERATING THE FUNCTIONS OF THE BED.

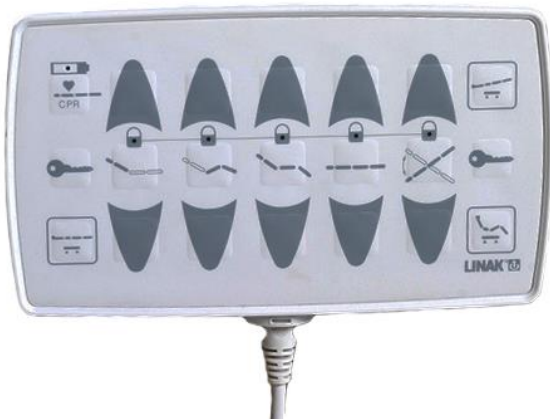


USER MANUAL

PEDIATRIC BED SMP PB900

3.2 Nurse Control Panel (optional)

FUNCTIONS:



1	Electronic CPR	12	Backrest lock
2	Backrest incline	13	Legrest decline
3	Legrest incline	14	Legrest lock
4	Fowler position increase	15	Fowler position decrease
5	Height increase	16	Fowler position lock
6	Trendelenburg	17	Height decrease
7	Shock position	18	Height adjustment lock
8	Lock Button	19	Reverse Trendelenburg
9	Lock Button	20	Trendelenburg Lock
10	Examination position	21	Cardiac position
11	Backrest decline		

3.3 Manual Controls

Some of the features of the bed do not require electrical functionalities hence they can be adjusted manually.

3.3.1 Legrest adjustment mechanism

Legrest movement is done by the help of a graded mechanism. Upholding the legrest is enough to uphold the graded mechanism. To lower again, uphold the legrest and then let it down. The legrest will come to straight position





USER MANUAL

PEDIATRIC BED **SMP PB900**

3.3.2 Side rails

There are four side rails on the bed for the safety of the patients. The side rails prevent the patient from falling out of bed and to avoid from external factors. The safe carriage capacity of each side rail is 75 kg.

Opening/Closing the side rail: To lower the side rail, pull the red latch to release the side rail and let it fold down. To raise the side rail, pull the lowered side rail upward. In both movements, the side rail locking mechanism becomes active automatically.

3.3.3 Manual CPR handle

To lower the backrest manually in an emergency situation, pull the handle located at the back of the backrest. Use this application to lower the patient's back in an emergency situation.

3.3.4 Cross castor locking system

To activate the lock, simply push down on the castor brakes. There is one castor brake located on each end of the bed. To unlock the castor brakes simply lift the lock as per diagram. Please make sure to unlock both castor brakes before moving the bed. Releasing the central brake will allow the bed to move freely.

3.4 Head/Foot Boards

The head and foot boards are designed to protect the patient from the environmental effects and increase the comfort of the patient. These boards are removable and can be installed easily. To remove the head/foot boards, simply pull on them by holding the top part and the boards will pop out of their holders. To install the head/foot boards, align the holes located at the bottom of the boards with the holders on the bed frame and simply push down to fix them in place.

4. Bed Cleaning

All SMP ICU bed models can be cleaned easily. The beds can be cleaned with a damp-dry duster. Make sure to discharge the patient out of the bed before commencing cleaning of the bed.

WARNING

NEVER USE ACID, DISSOLVENT, DETERGENT, PHOSPHATE OR ANY CHEMICAL INCLUDING PHOSPHATE OR ANY OTHER CORROSIVE AGENTS.



USER MANUAL

PEDIATRIC BED SMP PB900

5. Storage

For the long term storage of the bed, obey the following instructions:

- Reset all of the adjustments of the bed
- Be sure that all the wheels of the bed are on a level surface
- Do not place any other bed or a heavy subject on the bed

6. Troubleshooting

PROBLEM	REASON	SOLUTION
The bed is not responding to any commands.	<ol style="list-style-type: none">1. The power inlet is not plugged in.2. The electric cable is not working.3. The control box is not working.	<ol style="list-style-type: none">1. Plug the power inlet in.2. Change the electric cable.3. Send the control box to repair.
The system is working but the motor is not working. There is a “click” sound coming from the control box.	<ol style="list-style-type: none">1. The socket which has a connection with the control box of the motor is not connected.2. The motor is broken.3. The control box is broken.	<ol style="list-style-type: none">1. Check the described socket if it is connected or not.2. The motor needs to change, call the service.3. The control box needs to change, call the service department.
The system is working but the motor is not working. No “click” sound is coming from the control box.	<ol style="list-style-type: none">1. The control box is broken.2. The actuator is broken.	<ol style="list-style-type: none">1. The control box needs to change, call the service.2. The actuator needs to change, call the service department.
The battery is out of charge. No “click” sound is present.	<ol style="list-style-type: none">1. The battery is completely out of charge.2. The battery is broken.	<ol style="list-style-type: none">1. Charge the battery.2. Change the battery.
While the system is working, but the motors are not moving properly.	<ol style="list-style-type: none">1. The battery is completely out of charge.	<ol style="list-style-type: none">1. Charge the battery, if it does not help, call the service department.



USER MANUAL

PEDIATRIC BED SMP PB900

7. Symbols



B Type



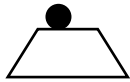
Look at the user's guide.



Equipotential



Bonding



= 175 Kg

Safety Working Weight

8. Maintenance Inspection Schedule

TECHNICIAN NAME	SIGNATURE	DATE	EXPLANATION

